



Accurately Weighing Africa



SM-110

Scale Printer



Sasco is a dynamic weighing solutions focused company which procures and supports a leading range of globally sourced industrial weighing technologies. Sasco has the highest metrological ranking of any Southern and Central African company, and as a result of our experience gained through 100 years of operation, we are uniquely positioned to specify and supply optimal weighing equipment, automation and weighing information data solutions to Southern and Central Africa's leading industrial companies. Sasco reputation has been built on innovation and choice underpinned by professionalism, modernity and experience.

GENERAL

- Easy and quick loading of receipt or label
- Direct thermal/high-speed thermal printer
- Update the date and time automatically with the clock built-in Ethernet interface for data updating (WLAN optional).



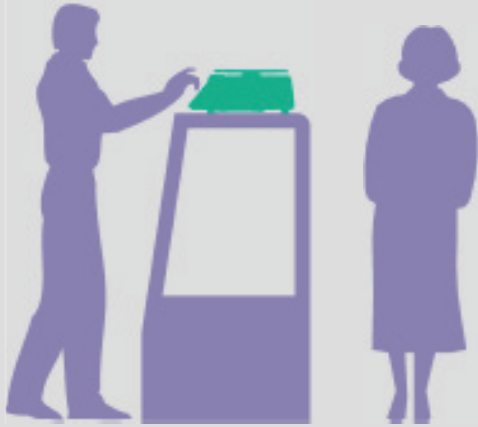
SM-110PCS+



SM-110BCS+

VERSATILE SCALE PRINTER FOR STORE OPERATIONS

- Weigh quickly, print rapidly to increase throughput.
- SM-110 series designed to meet the weighing needs of any retail store.
- This Series provides the best value for your store's operation.



SM-110BCS:

- 32 keys
- 25 digits segments
- display LCD



SM-110PCS:

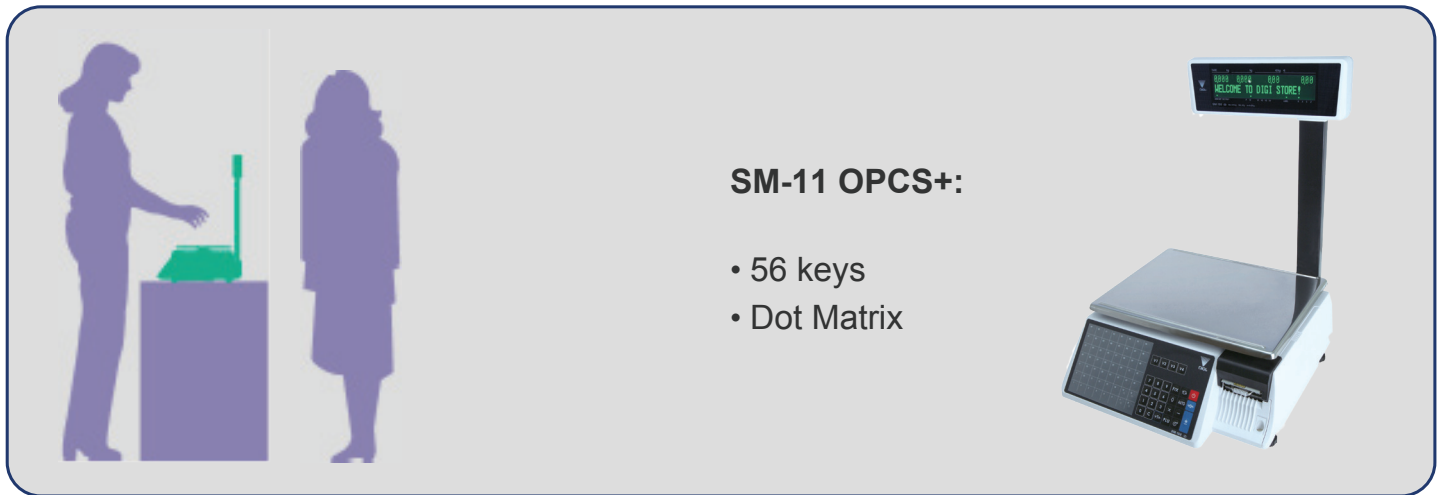
- 56 keys
- 25 digits segments
- display LCD



SM-11 OBCS+:

- 32 keys
- Dot Matrix





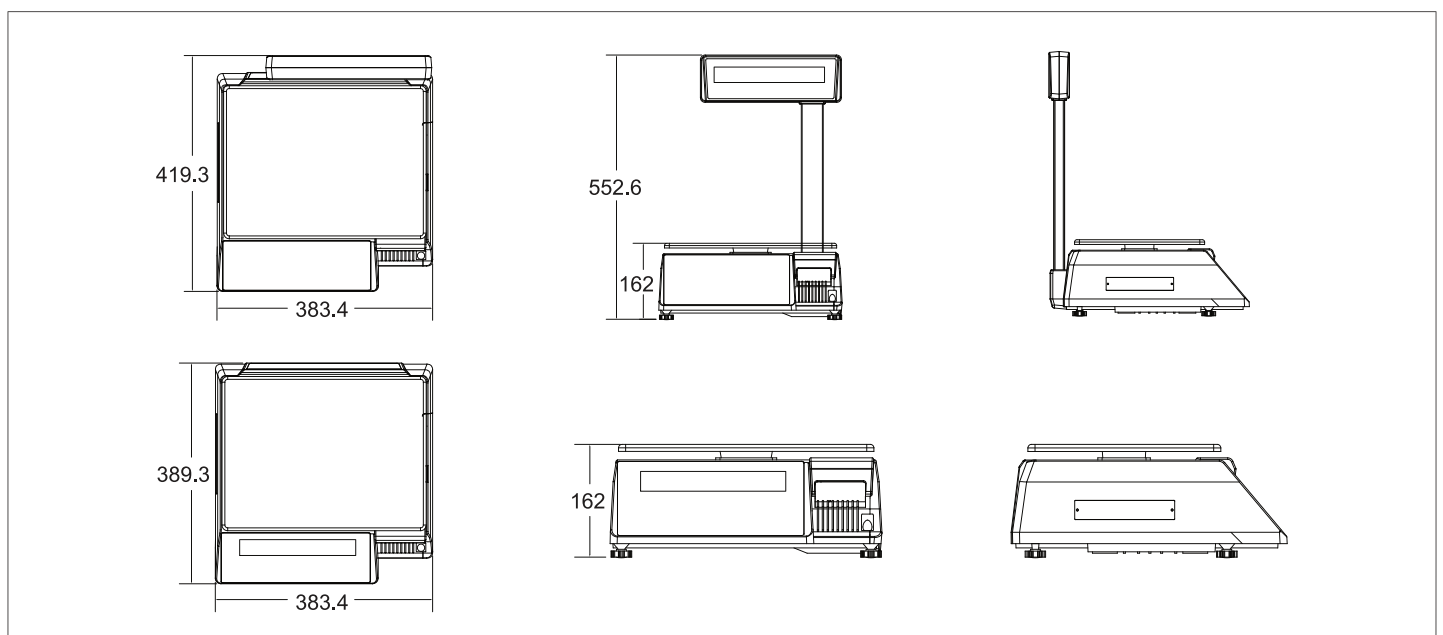
RELIABLE PRINTING MECHANISM

Changing the thermal paper roll is easy through the large opening in the scale housing which enables quick loading of the label or receipt roll. This access ensures easy handling of rolls and maintenance at the store level, reducing waste, error and costs.

POWERFUL COMMUNICATION CAPABILITIES STANDARD

Through the standard Ethernet or RS-232 interface, inter-scale and store controller communication is readily available. With the Wireless LAN network interface, scale installation locations can quickly change without added costs. (Wireless network card is optional.) Quick weight stabilization and fast label / receipt printing allows the operator to serve more customers and increase volume of the operation. Barcode Scanner can also be connected to enhance the operation. Nutritional facts and traceability information can be easily designed and printed for better customer service.

EXTERNAL DIMENSIONS



BASIC SPECIFICATIONS

Specifications	Description			
Model	SM-110PCS	SM-110PCS+	SM-110BCS	SM-110BCS+
Dimension(mm)	383.4 X 419.3 X 552.6		383.4 X 389.3 X 162	
Number preset keys	56 keys		32 keys	
Net weight	10.5kg		9.7kg	
Capacity	3/6kg: 1 - 2g 6/15kg: 2 - 5g 15/30kg: 5 - 10g			
Memory	2M(standard) 8M(Max)			
Display resolution	1/3,000 (dual range)			
Printing	25 digits segments LCD	Dot Matrix	25 digits segments LCD	Dot Matrix
	TARE weight display:4 digits Weight display: 5 digits Unit Price display: 6 digits Total price: 7 digits			
Printing	PAPER WIDTH: Max 60mm(Label), 60mm(Receipt) Speed: 80mm/sec(Label), 105mm/sec(Receipt) Label size: Max 60(W) X 220(L)mm			
Power source	AC 100/110/220/230/240 Volts(50/60Hz)(Factory Optional)			
Operating temperature	-10°C~40°C			
Operating humidity	15%~85%RH			
Interface	RS232C, Cash drawer, ETHERNET I/F (10/100mbps) WLAN IEEE 802.11b(Optional)			

SMART SUPPORT
0861 422 134 OR +27 83 680 0722

E-mail: info@sascoafrica.com

Web: www.sascoafrica.com

24 hours, 7 Days a week

Group Support Head Office:
2 Blackburn Street
Apex Industrial
Benoni

Phone: +27 (0) 11 746 6000

Fax: +27 (0) 11 746 6100

This brochure contains a general guide of the product only and shall not form part of any contract unless specifically agreed by Sasco Africa in writing in each case on the Order Acknowledgement. The specification of the product described herein may vary from time to time and may be altered without notice.

