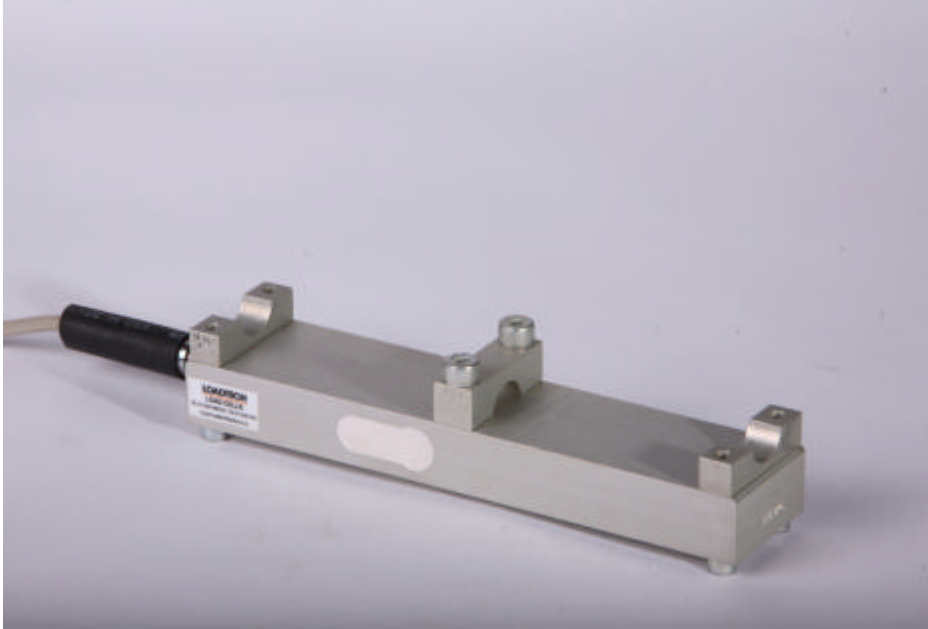


LT 820 SERIES

LOADTECH
LOAD CELLS



Model LT819, LT820 and LT821 load cells are manufactured from anodized aluminium.

The clamp on design makes it ideal for fitment to new and existing cranes or winches.

IP66 protection ensures long operating life in indoor and outdoor applications. Hydraulic hose can be fitted to protect the cable from mechanical damage.

Models LT819, LT820 and LT821 Easy fit rope clamp.

Rope sizes 12-30 mm

Anodised aluminium

IP 66 protection

Bolts on with 2 bolts

Cost effective solution for crane overload systems

Model LT820 and LT821, (the longer units), are the standard general purpose units. The shorter model LT819 is specifically for applications where space is at a premium.

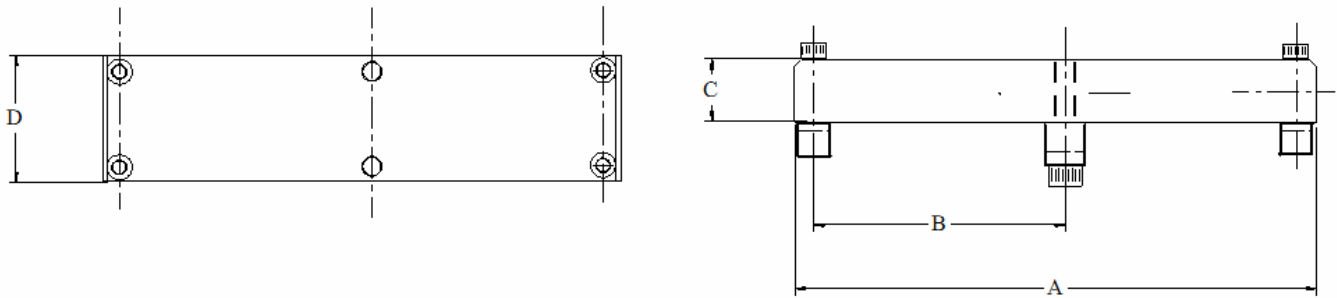
Manufactured by :

LOADTECH LOAD CELLS (PTY) LTD
134 Sarel Baard Crescent
Gateway Industrial Park
Centurion, Gauteng
P.O. Box 9947, Centurion 0046

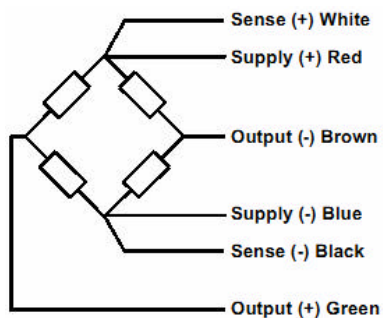
Tel : 012 661 0830
Fax : 012 661 0816
E-mail : sales@loadtech.co.za

LT819/820/821 SPECIFICATIONS

Model	LT 819 / LT 820 / LT 821
Rope Size	12 - 30 mm
Rated Output	1 m V/V nom
Repeatability (Typical)	0.5%
Linearity	1%
Hysteresis	6%
Operating Temperature Range	0 - 40 C
Excitation : Recommended	10 V DC
: Maximum	15 V DC
Input Impedance	350 + - / - 3 Ohms
Output Impedance	350 + - / 3 Ohms
Insulation Resistance	> 1000 Megaohms
Weight	0.8/1kg
Construction material	Anodised Aluminium
Environmental Protection	IP66
Cable	5m 6 core screened



MODEL	LT 819	LT 820	LT 821
A	120	224	400
B	52.5	104	192
C	25	25	25
D	50	50	75



Note : Connections shown for tension.

MANUFACTURED BY :

134 Sarel Baard Cresent
 Gateway Industrial Park
 Centurion Gauteng
 P.O. Box 9947
 Centurion 0046
 Tel : 012 661 0830
 Fax : 012 661 0816
 E-mail : sales@loadtech.co.za

Note : These specifications are
 Subject to change without notice.