

LT620

LOADTECH
LOAD CELLS



MODEL LT620 TENSION LINK

- **Capacities 1 000kg– 200 000kg**
- **Electroless nickel plated steel**
- **Protection to IP66**
- **Optional MIL spec. plug or hydraulic hose protection for cable.**
- **Ideal for suspended loads and crane weighing systems**

Model LT 620 load cells are designed to be used in tension on suspended batch weighing systems or crane weighing Systems.

The mounting holes are sized to fit the industry standard shackles.

It is manufactured from high grade tool steel and electroless nickel plated for environmental protection.

Output is a nominal 1.5mV/V which is less than a standard load cell, but this allows for a greater safety margin in the ultimate breaking load.

It is normally fitted with a fixed 5m long cable but can on order be fitted with either a MIL. Spec. connector to facilitate removal of the cable or a hydraulic hose to protect the cable

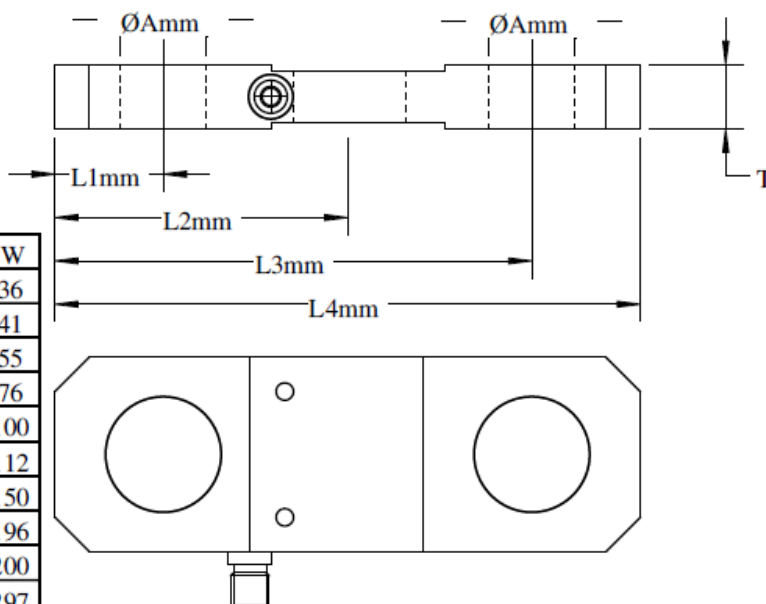
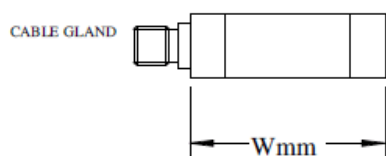
Manufactured by :

LOADTECH (PTY) LTD
134 Sarel Baard Crescent
Gateway Industrial Park
Centurion, Gauteng
P.O. Box 9947, Centurion 0046

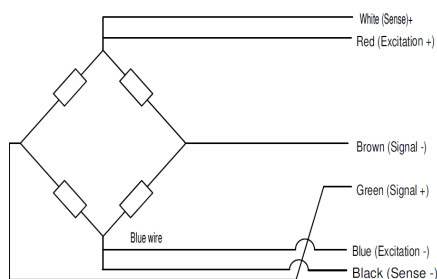
Tel : 012 661 0830
Fax : 012 661 0816
E-mail : sales@loadtech.co.za
Website: www.loadtech.co.za

LT620 Specifications

ACCURACY CLASS	0.1%	UNITS	
Rated Capacities	1,2,5,10,20,30,50,100,150,200	tonne	
Rated output	1.5 +/- 0.1%	mV/V	
Total error	< 0.1	+/- % of Applied load	
Creep at rated capacity: Zero return	< 0.1%	+/- % of Applied load	
Zero Balance	2.0	+/- % of Applied load	
Temperature Range: Operating	-30 to +80		
Compensated	-10 to +40		
Temperature Effect: On Output	0.04	+/- % of Applied load/ °C	
: On Zero	0.07	% of Rated output/ °C	
Safe overload	150	% of Rated Capacity	
Ultimate Overload	500	% of Rated Capacity	
Excitation: Recommended	10	Volts AC or DC	
: Maximum	15	Volts AC or DC	
Input Impedance	350 +/- 3	Ohms	
Output Impedance	350 +/- 3	Ohms	
Insulation Resistance	> 1000	Mega Ohms	
Deflection at rated capacity	< 0.5	mm	
Construction Material	Electroless Nickel Plated Tool Steel		
Environmental protection	IP66		
Weight: 1000, 2000kg	0.8 kg	50 000kg	37 kg
5000kg	1.7 kg	100 000kg	89 kg
10 000kg	4.0 kg	150 000kg	118 kg
20 000 / 30 000 kg	14.0 kg	200 000kg	234 kg



		ØA	L1	L2	L3	L4	T	W
LT620-1K	1000 kg	12	18	63	108	126	15	36
LT620-2K	2000 kg	18	21	71	122	142	21	41
LT620-5K	5000 kg	26	25	86	147	172	34	55
LT620-10K	10 000 kg	37	34	119	203	237	49	76
LT620-20K	20 000 kg	52	55	172	289	344	71	100
LT620-30K	30 000 kg	59	55	172	289	344	80	112
LT620-50K	50 000 kg	72	75	234	392	467	100	150
LT620-100K	100 000 kg	96	98	302	505	603	125	196
LT620-150K	150 000 kg	110	130	345	560	690	160	200
LT620-200K	200 000 kg	131	149	423	697	845	174	297



LOADTECH LOAD CELLS
 134 Sarel Baard Crescent
 Gateway Industrial Park
 Centurion Gauteng
 T: 012 661 0830
 F: 012 661 0816
 E: sales@loadtech.co.za

MANUFACTURED BY :

LOADTECH
 LOAD CELLS