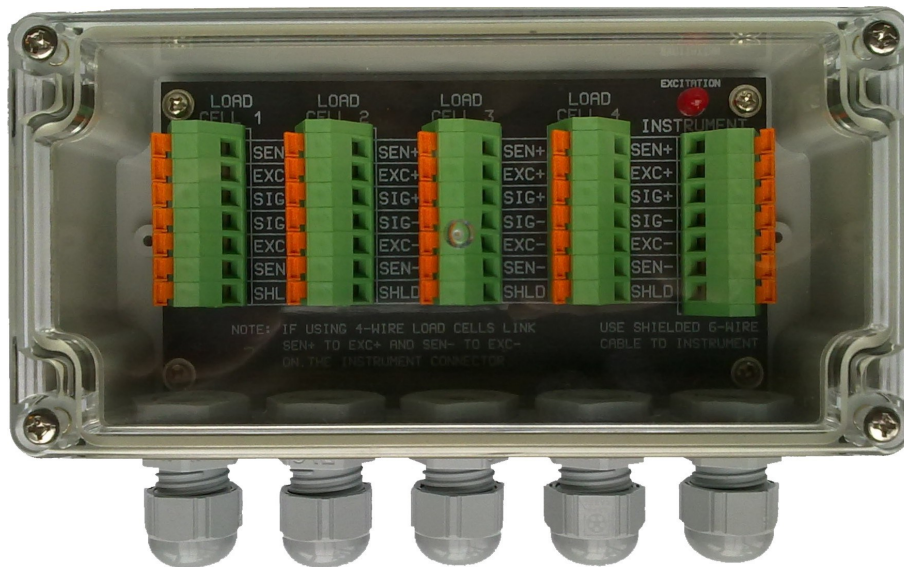


LT540

5-Way IP65 Load cell Junction / Summation box

Manual – English 1.03



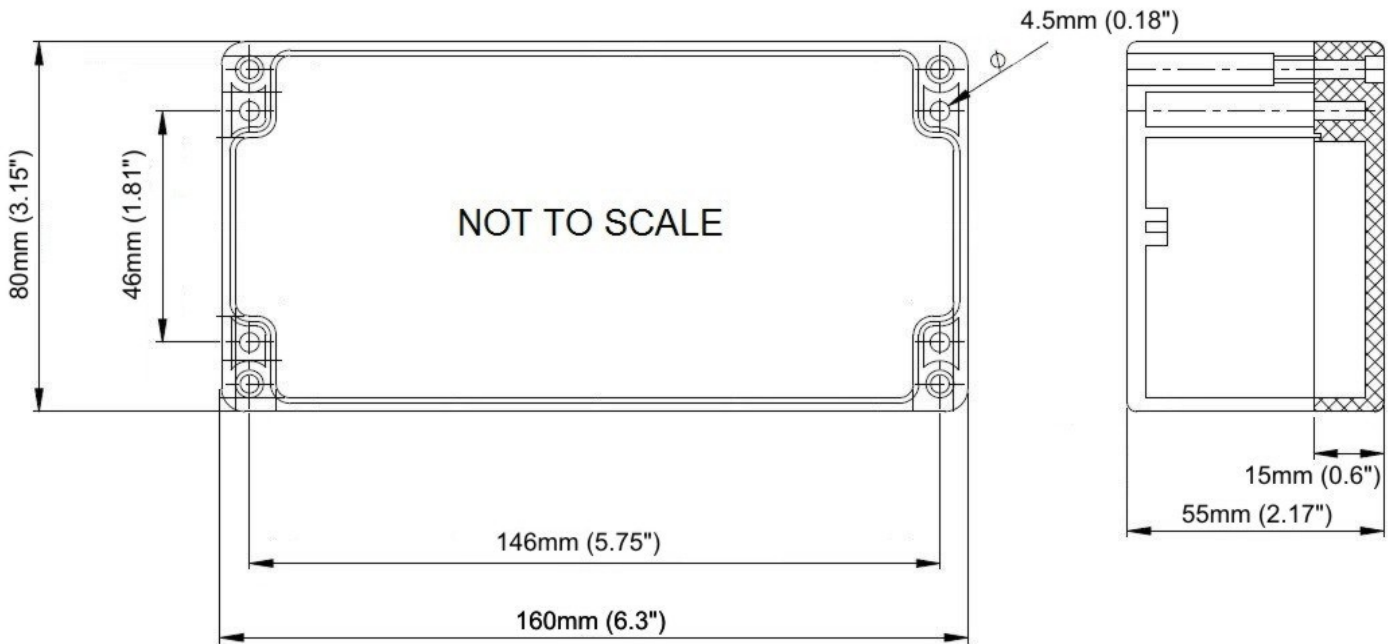
Introduction

The load cell junction / summation box allows for easy connection / summation of up to 4 load cells to be connected in parallel to the load cell instrumentation. Features of the junction / summation box include an IP65 protection rating, cage clamp wire connectors for easy connection, a red LED for excitation indication and a clear lid for easy fault finding.

1 Features

- Easy connection / summation of up to 4 load cells in parallel
- IP65 Protection rating
- Red LED indicating the presence of the load cell excitation voltage
- Supports 4 or 6 wire load cells
- Clear lid for easy fault finding
- Shielded 6-wire connection to the load cell instrumentation
- Cage clamp wire connectors
- 1 year limited warranty

2 Dimension & Template Drawing



3 Specifications

Enclosure:	
Unit Dimensions	160x80x55mm (6.3x3.15x2.17")
Enclosure Sealing	Tongue and groove with Neoprene seal
Enclosure Material	Polycarbonate (grey base, clear lid)
IP Protection Rating	IP65
Connector Ratings: (Cage clamp wire connectors)	
Conductor cross section solid min	0.2mm ²
Conductor cross section solid max	2.5mm ²
Conductor cross section stranded min	0.2mm ²
Conductor cross section stranded max	1.5mm ²
Conductor cross section solid min with ferrule	0.25mm ²
Conductor cross section solid max with ferrule	1.5mm ²
Wire stripping length	7.5mm
Gland Ratings:	
Clamping/sealing range	4-8mm (0.157-0.314") Diameter wire
Environmental Conditions:	
Operating temperature	-10°C to 50°C (14°F to 122°F)
Storage temperature	-40°C to 80°C (-40°F to 176°F)
Operating and storage humidity	<85%, RH (non-condensing)

4 Installation

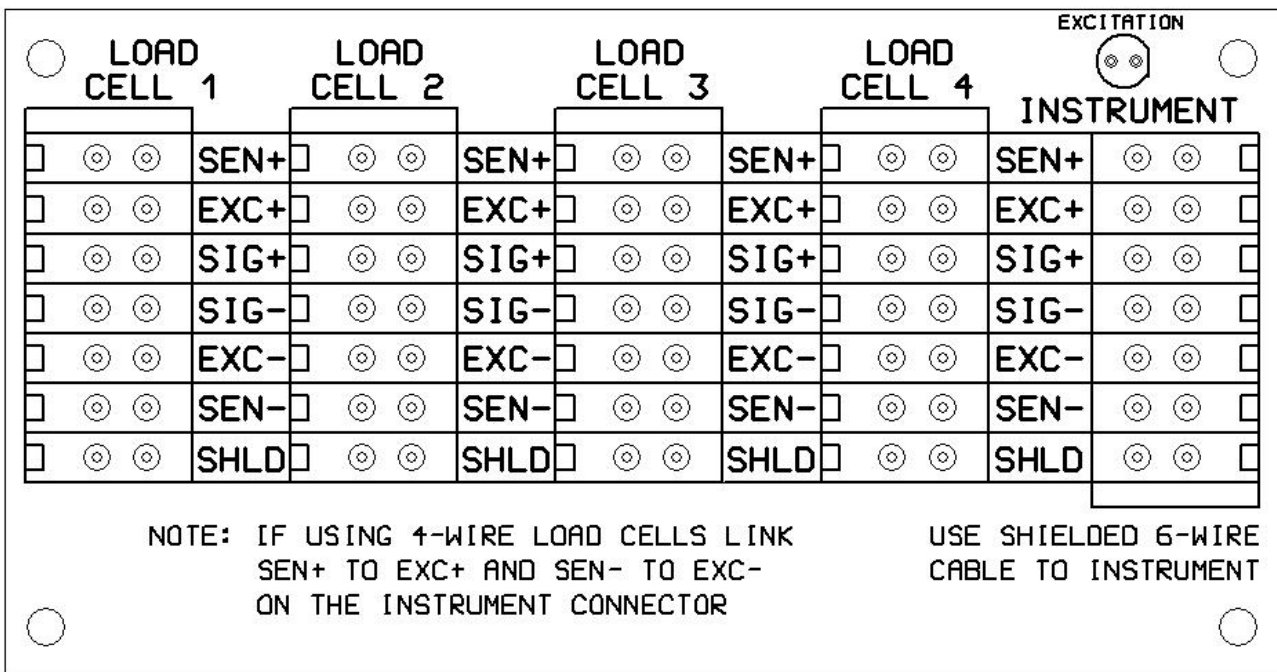
Connect Load cells “LOAD CELL 1” to “LOAD CELL 4” noting the load cells correct wiring positions. Connect a suitable shielded cable from the load cell instrumentation to the junction box connector marked “INSTRUMENT”. Make sure the red LED is illuminated indicating the presence of the excitation voltage when the load cell instrumentation is powered on. If it does not illuminate then turn off the instrumentation and double check all connections.

Notes:

- Tighten the gland nut until the rubber touches the cable completely and then tighten the nut with ½ turn (180 degrees)
- For unused glands either replace the glands with blank glands or insert a small off cut of wire to represent a “Dummy load cell” to block the hole.
- Install the junction / summation box with the glands pointing downwards with cable drip loops (If the cables and junction box is exposed to water then bend a short downward loop in all cables near the cord grips so any water draining down the cables will drip off before reaching the junction box.

4-Wire Load Cells:

If using 4-wire load cells then link the SEN+ to EXC+ and SEN- to EXC- on the specific load cell connector.



Note: Install with glands facing downwards and with cable drip loops

5 Ordering Information

LT540 – 5 way Junction/summation box

6 Notice

Specifications of the products displayed herein are subject to change without notice. Infiniteq cc, or anyone on its behalf, assumes no responsibility or liability for any errors or inaccuracies.

Information contained herein is intended to provide a product description only. No license, express or implied, by estoppel or otherwise, to any intellectual property rights is granted by this document. Except as provided in Infiniteq's terms and conditions of sale for such products, Infiniteq assumes no liability whatsoever, and disclaims any express or implied warranty, relating to sale and/or use of Infiniteq products including liability or warranties relating to fitness for a particular purpose, merchantability, or infringement of any patent, copyright, or other intellectual property right.

The products shown herein are not designed for use in medical, life-saving, or life-sustaining applications. Customers using or selling these products for use in such applications do so at their own risk and agree to fully indemnify Infiniteq for any damages resulting from such improper use or sale.

7 Warranty

This product carries a warranty for a period of one year from date of purchase against faulty workmanship or defective materials, provided there is no evidence that the unit has been mishandled or misused. Warranty is limited to the replacement of faulty components and includes the cost of labor. Shipping costs are for the account of the purchaser.

Note: Product warranty excludes damages caused by unprotected, unsuitable or incorrectly wired electrical supplies and or sensors, and damage caused by inductive loads.

DISTRIBUTED BY: