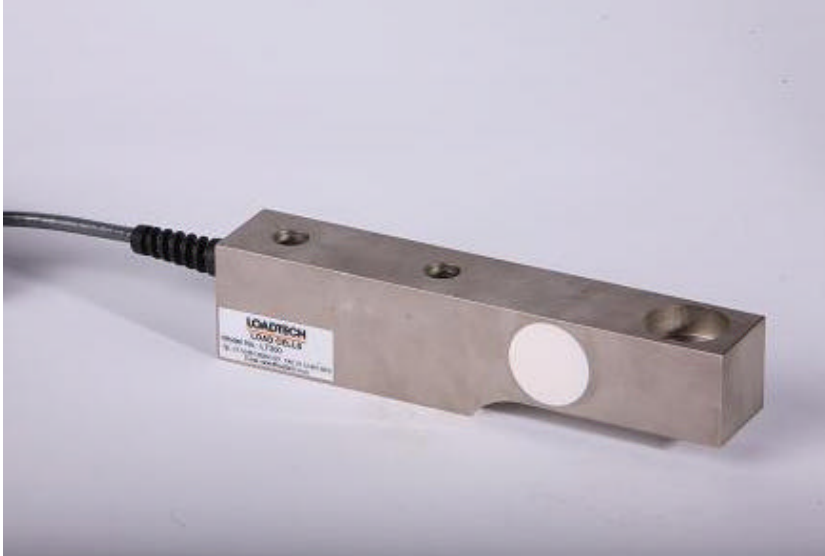


LT300

LOADTECH
LOAD CELLS



Model LT300 medium capacity, shear beam load cell.

Capacities 500 to 10 000 kg

Electroless nickel plated steel

IP66 protections

Excellent side load resistance

Industry standard fitting

Model LT 300 load cells are manufactured from high grade steel and are electroless nickel plated for protection.

The industry standard size makes it suitable for use in new and existing systems. Standard mounting accessories include load buttons, ball and cups and rubber mountings.

IP66 protection ensures long operating life in indoor and outdoor applications.

Commercial applications include low profile platform scales, pallet truck weighers and vehicle weighing pads. Industrial applications include hoppers, tanks, silos and batching systems.

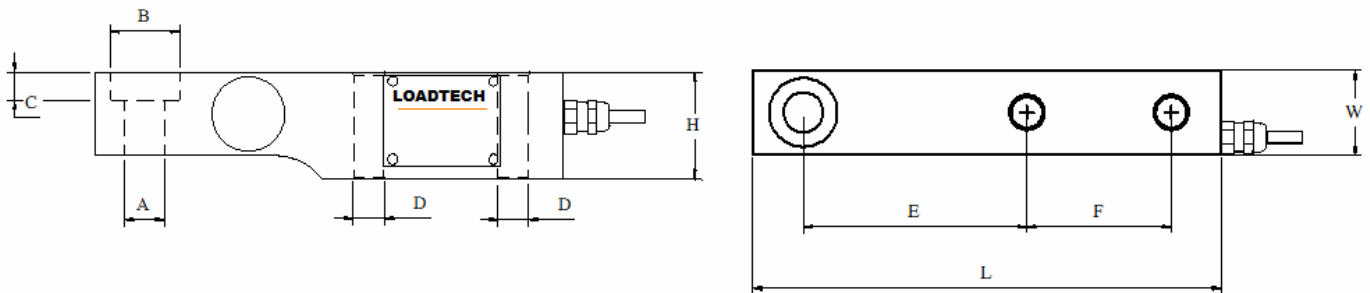
Manufactured by :

LOADTECH LOAD CELLS (PTY) LTD
134 Sarel Baard Crescent
Gateway Industrial Park
Centurion, Gauteng
P.O. Box 9947, Centurion 0046

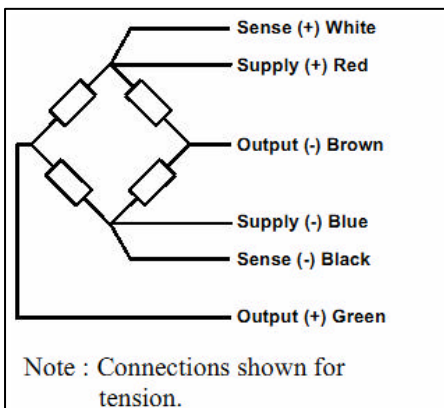
Tel : 012 661 0830
Fax : 012 661 0816
E-mail : sales@loadtech.co.za

LT300 SPECIFICATIONS

| ACCURACY CLASS | 0.1% | 0.05% | 0.03% | UNITS |
|---|--------------------------------------|--------------|-------|-------------------------|
| Rated capacities | 500,1000,2000,5000 and 10000 | | | kg |
| Rated output | | 2.0 +/- 0.1% | | mV/V |
| Total error | 0.1 | 0.05 | 0.03 | + - % of Applied load |
| Creep at rated capacity: Zero return | 0.1 | 0.05 | 0.03 | + - % of Applied load |
| Zero Balance | 0.5 | 0.5 | 0.5 | + - % of Rated Output |
| Temperature Range: Operating : Compensated | -30C to + 80 0C to + 40 | | | C |
| Temperature Effect : On Output | 0.007 | 0.004 | 0.003 | + - % of Applied Load/C |
| : On Zero | 0.015 | 0.007 | 0.003 | + - % of Rated Output/C |
| Safe Overload | 150 | | | + - % of Rated Capacity |
| Ultimate Overload | 300 | | | + - % of Rated Capacity |
| Excitation: Recommended | 10 | | | Volts AC or Dc |
| : Maximum | 15 | | | Volts AC or Dc |
| Input Impedance | 350 +/- 3 | | | Ohms |
| Output Impedance | 350 +/- 3 | | | Ohms |
| Insulation Resistance | >1000 | | | Megaohms |
| Deflection at rated capacity | < 0.4 | | | mm |
| Weight 500,1000 and 2000 kg | 2 | | | kg |
| 5000 kg | 4 | | | kg |
| 10 000 kg | 6 | | | kg |
| Construction material | Electroless Nickel Plated Tool Steel | | | |
| Environmental protection | IP66 | | | |
| Cable | 5 meter 6 wire screened | | | |



| CAPACITY | A | B | C | D | E | F | H | L | W |
|-----------|------|------|----|------|-------|------|----|-----|----|
| 0.5/1/2 t | 17.5 | 30.5 | 12 | 13.5 | 98.3 | 63.5 | 47 | 206 | 37 |
| 5 t | 26 | 41.3 | 16 | 23 | 123.7 | 66.5 | 70 | 240 | 48 |
| 10 t | 32 | 51.4 | 20 | 27 | 140 | 82.5 | 66 | 282 | 60 |



MANUFACTURED BY :

134 Sarel Baard Cresnet
Gateway Industrial Park
Centurion Gauteng
P.O. Box 9947
Centurion 0046
Tel : 012 661 0830
Fax : 012 661 0816
E-mail : sales@loadtech.co.za



LOAD CELLS

FOR QUALITY

Note : These specifications are subject to change without notice