

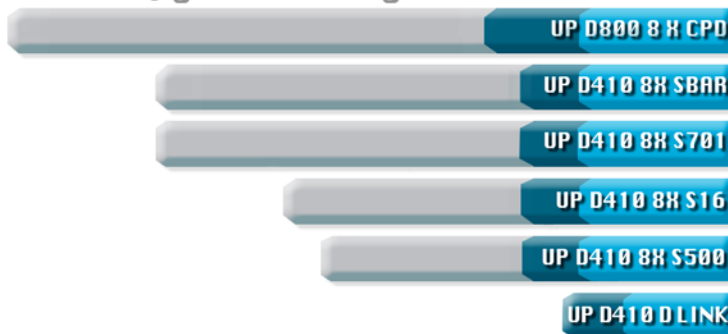


Accurately Weighing Africa



■ load Cells ■ indicator ■ other

8 Load cell upgrades using various Load cells



S204

high precision beamcell



DESCRIPTION

General

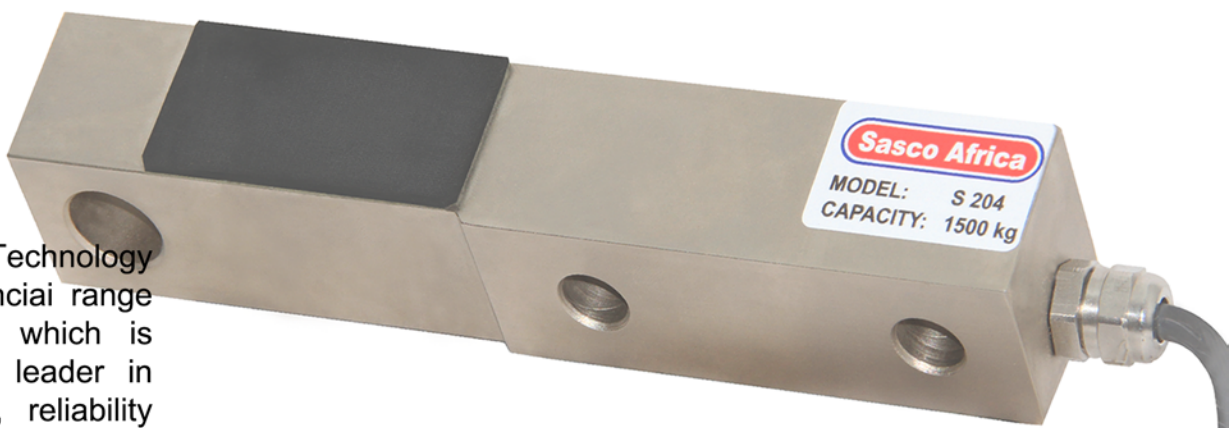
Sasco's Tier I Technology comprises the Bilanciai range of instrumentation, which is recognised as the leader in terms of accuracy, reliability and functionality.

Sasco's Tier II technologies include the S-Series range of loadcells such as the S204. The S204 is a direct trade approved generic replacement to the T204.

The S204 is a high precision single-bridge shear beam force transducer. The S204 is designed for use in low profile platform scales and loadcells in con-rod conversions of mechanical scales.

Construction

The S204 is made of alloy steel.



Capacities

750kg
1500kg
3000kg

Accuracy

4000d

Approvals

SA1430

EXAMPLE

Low profile platform scales
Load cell in cod-rod conversions of mechanical scales.
Hoppers, tanks and silos
Overhead track scales
Dynamometers
Engine test stands

SPECIAL FEATURES

Exceptional accuracies.
Low profile
Simple to install
Insensitive to side loads.
Excellent repeatability.
Small creep and hysteresis.
errors

SPECIFICATIONS

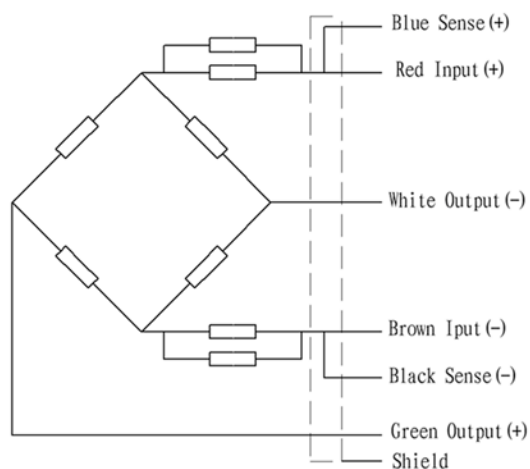
Sealed to
BS EN 60529:1992
IP65 & IP67.

SPECIFICATIONS

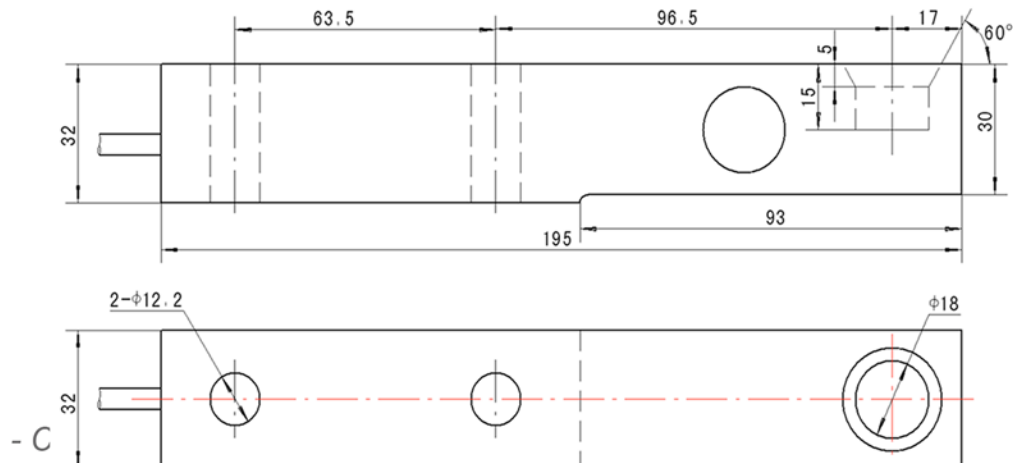
| | | |
|------------------------------------------|--------------------|--------------------|
| Capacity | kg | 1500/3000 |
| Accuracy class | | C3 |
| Maximum number of verification intervals | n_{max} | 3000 |
| Minimum load cell verification interval | v_{min} | $E_{max}/10000$ |
| Combined error | %FS | 0.02 |
| Creep | (%FS/30min) | 0.017 |
| Output sensitivity | (mv/v) | 1.75 ± 0.002 |
| Input resistance | (Ω) | 410 ± 10 |
| Output resistance | (Ω) | 351 ± 3 |
| Insulation resistance | (M Ω) | $\geq 5000(50VDC)$ |
| Zero balance | (%FS) | 1.0 |
| Temperature compensated | ($^{\circ}C$) | -10 ~ +40 |
| Temperature effect on zero | %FS/ $10^{\circ}C$ | 0.017 |
| Temperature effect on sensitivity | %FS/ $10^{\circ}C$ | 0.014 |
| Temperature allowed | ($^{\circ}C$) | -20 ~ +65 |
| Excitation Recommended | (V) | 5 ~ 12(DC) |
| Excitation,Max | (V) | 18(DC) |
| Safe overload | (%FS) | 120 |
| Ultimate overload | (%FS) | 150 |
| Protection Class | | IP 65 |

ELECTRICAL TERMINATION

Shielded, 6 conductor cable
Standard cable length: 4m



DIMENSION



APPLICATIONS

Mountings

The transducer should be mounted using high tensile bolts, grade 8.8 (minimum), and tightened to a torque of 70 Nm.

Loading

This transducer is designed to operate with loads applied to the free end of the beam only.

If loads in excess of the rated capacity are envisaged, then suitable adjustable overload stops should be provided and adjusted to operate between 100% and 150 % of rated capacity.

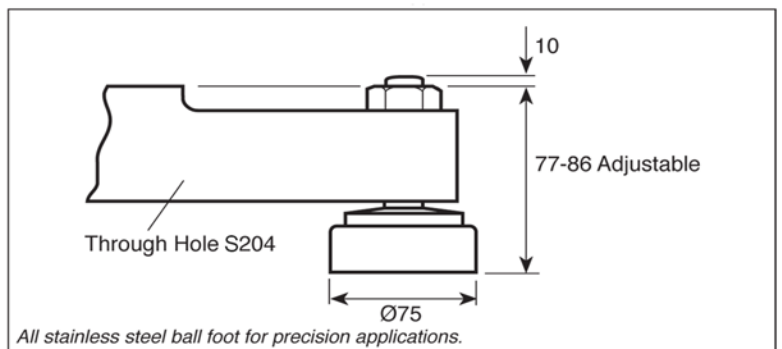
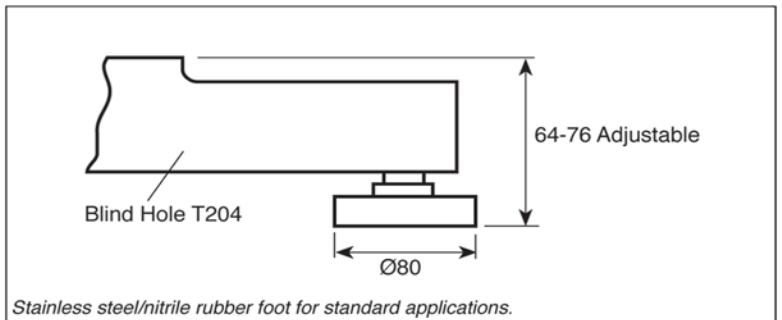
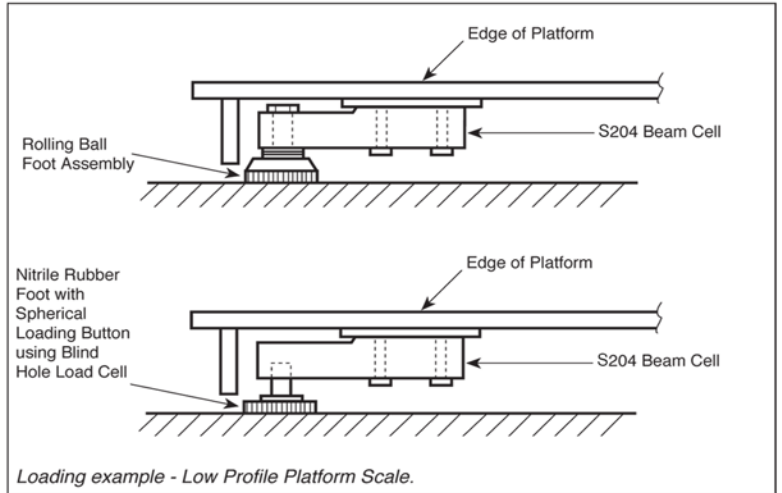
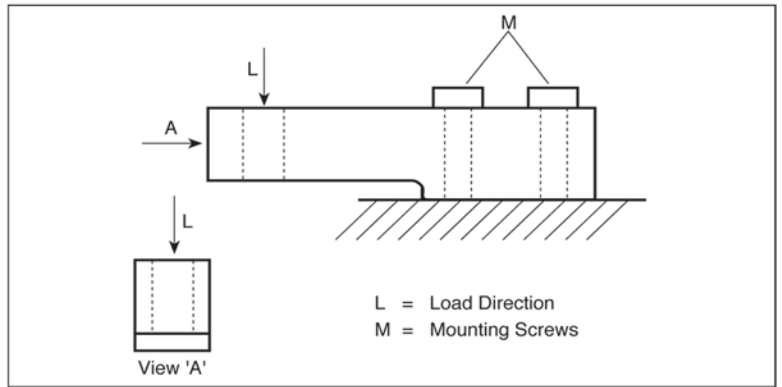
PLATFORM FEET

For platform applications, two types of self-aligning, height adjustable feet are available as accessories:

1. For standard weighing applications, a stainless steel and nitrile rubber foot for use with the Blind Hole version of the S204.

Nitrile rubber has good mechanical properties and is resistant to a wide range of petroleum oils and fluids. It may be affected by aromatic halogenated hydrocarbons.

2. For precision weighing applications and/or where aggressive chemicals may be present, an all stainless steel rolling ball foot for use with the Through the Hole version of the S204.



Customer Call Centre: 0861 422 134
Call Centre Hours: 24 Hours, 7 Days a week
Group Support Head Office: C/O Apex & Blackburn Streets
Apex Industrial
Benoni
Phone : +27 (0) 11 746 6000
Fax : +27 (0) 11 746 6100
E-mail : info@sascoafrica.com



CUSTOMER CALL CENTRE 0861 422 134

E-mail info@sascoafrica.com

Web www.sascoafrica.com

the best in every weigh