

Short Description



- Aluminium-alloy IP65 single point load cell
- Colourless anodized
- Suitable for single or double load cell structured platform scales
- Maximum platform size: 200 x 200 mm



Test certificate no. TC7839 Revision 0
C of C no R60/2000-NL1-10.23

Available Models

Capacity	Accuracy	Full Article Description
4 kg	C3	L6H5-C3-4kg-1.75B
5 kg	C3	L6H5-C3-5kg-1.75B
6 kg	C3	L6H5-C3-6kg-1.75B
8 kg	C3	L6H5-C3-8kg-1.75B
10 kg	C3	L6H5-C3-10kg-1.75B
20 kg	C3	L6H5-C3-20kg-1.75B
30 kg	C3 Excluded from OIML	L6H5-C3-30kg-1.75B

Specifications and dimensions are subject to change without notice and do not constitute any liability whatsoever.

Technical Specifications L6H5

Accuracy Class		OIML R60 C3	C3
Output Sensitivity (= FS)	mV/V	2.0 ± 0.2	
Maximum Capacity (E _{max})	kg	4, 5, 6, 8, 10, 20	30
Max. Number of Load Cell Intervals	n _{LC}	3000	
Ratio of min. LC Verification Interval	Y = E _{max} / v _{min}	15000	
Combined Error	%FS	≤± 0.023	
Creep Error (30 minutes)	%FS	≤± 0.0245	
Temperature Effect on Zero (ZTC)	%FS/10°C	≤± 0.020	
Temperature Effect on Sensitivity (STC)	%FS/10°C	≤± 0.017	
Zero Balance	%FS	≤± 2.0	
Safe Overload	%FS	120	
Ultimate Overload	%FS	150	
Maximum Deflection	mm	~0.24	
Eccentric Loading Error	%Ld/cm	± 0.002	
Excitation, Recommended Voltage	V	5 ~ 12	
Excitation, Maximum Voltage	V	18	
Input Resistance	Ω	406 ± 6	
Output Resistance	Ω	350 ± 3	
Insulation Resistance (50V)	MΩ	≥5000	
Compensated Temperature	°C	-10 ~ + 40	
Operating Temperature	°C	-35 ~ + 65	
Storage Temperature	°C	-40 ~ + 70	
Load Cell Weight	kg	0.15	
Element Material		Aluminium	
Ingress Protection (acc. to EN 60529)		IP65	
Recommended Torque on Fixation Bolts	Nm	M8: 25	

Wiring

Features:

Cable type: Shielded, 4 conductor cable , conductor AWG 26

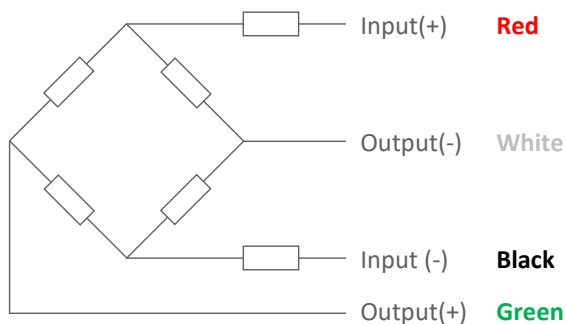
Cable diameter: Ø 3.8mm

Cable length: 1.75m

Cable jacket: PVC

Shield not connected to element

4-Wire Connection Diagram

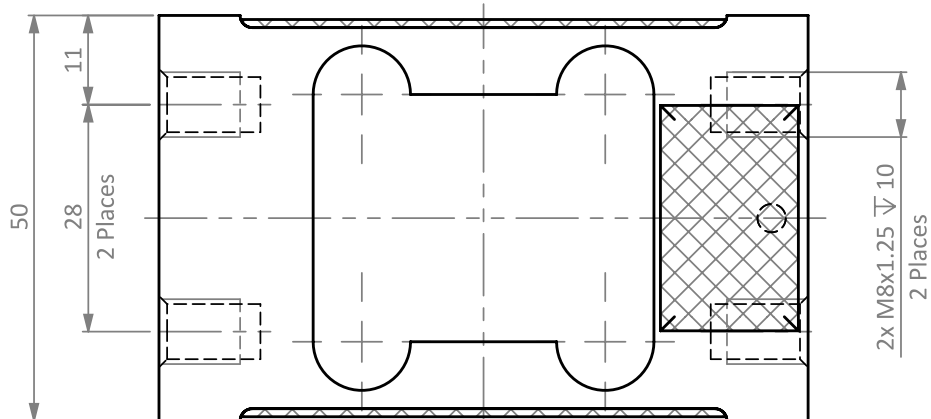


Specifications and dimensions are subject to change without notice and do not constitute any liability whatsoever.

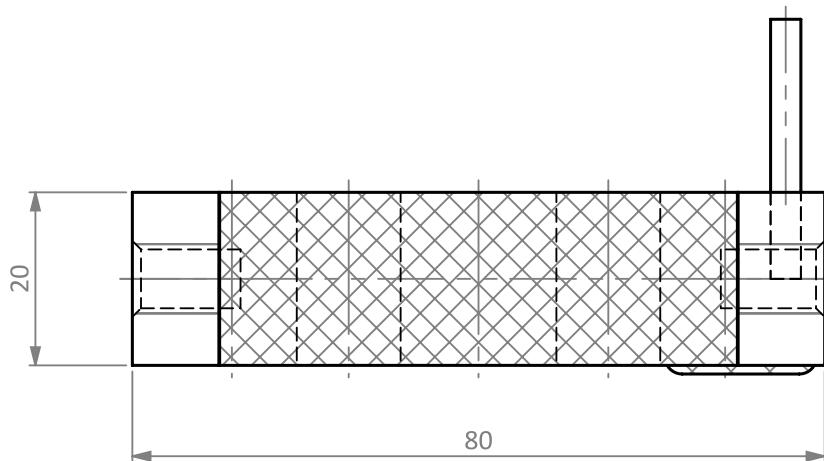
Type L6H5 Load Cell

Dimensions in mm

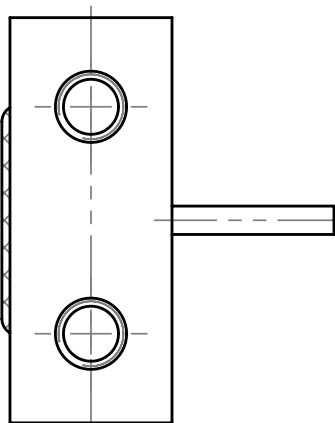
Front View



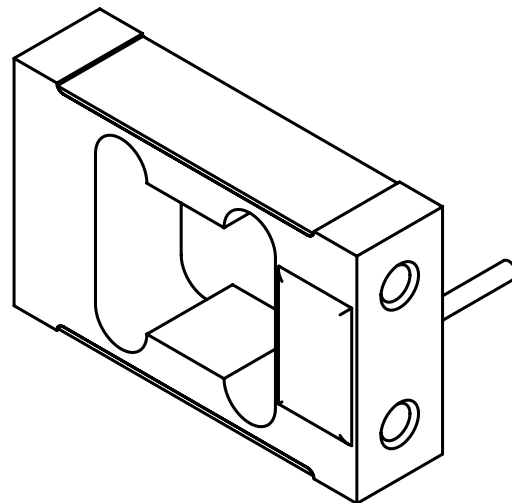
Top View



Side View



Isometric View



Specifications and dimensions are subject to change without notice and do not constitute any liability whatsoever.