

## Short Description



- Aluminium-alloy IP65 single-point load cell
- Colourless anodized
- Suitable for pricing scales, bench scales, etc.
- Maximum platform size: 450 x 450 mm



Test certificate no. TC7836 Revision 1  
C of C no R60/2000-NL1-10.34



Certificate no. 11-062

## Available Models

Capacity	Accuracy	Full Article Description
50kg	C3/C4	L6E3-C3/C4-50kg-3G
100kg	C3/C4	L6E3-C3/C4-100kg-3G
150kg	C3/C4	L6E3-C3/C4-150kg-3G
200kg	C3/C4	L6E3-C3/C4-200kg-3G
250kg	C3/C4	L6E3-C3/C4-250kg-3G
300kg	C3/C4/C5	L6E3-C3/C4/C5-300kg-3G
400kg	C3/C4/C5	L6E3-C3/C4/C5-400kg-3G
500kg	C3/C4/C5	L6E3-C3/C4/C5-500kg-3G

Specifications and dimensions are subject to change without notice and do not constitute any liability whatsoever.

## Technical Specifications L6E3

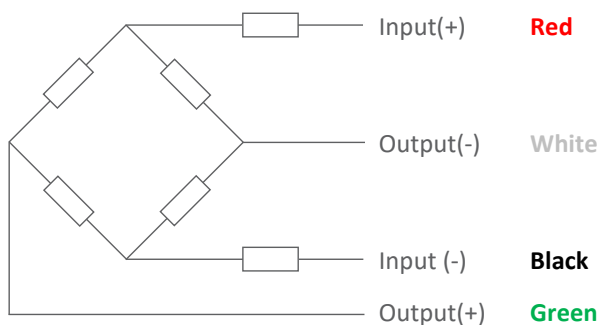
Accuracy Class		OIML R60 C3	OIML R60 C4	OIML R60 C5
Output Sensitivity (= FS)	mV/V	2.0 ± 0.2		
Maximum Capacity ( E <sub>max</sub> )	kg	50, 100, 150, 200, 250, 300, 400, 500		300, 400, 500
Max. Number of Load Cell Intervals	n <sub>LC</sub>	3000	4000	5000
Ratio of min. LC Verification Interval	$Y = E_{max} / V_{min}$	10000	15000	20000
Combined Error	%FS	≤± 0.023	≤± 0.018	≤± 0.014
Creep Error (30 minutes)	%FS	≤± 0.017	≤± 0.013	≤± 0.010
Temperature Effect on Zero (ZTC)	%FS/10°C	≤± 0.017	≤± 0.012	≤± 0.009
Temperature Effect on Sensitivity (STC)	%FS/10°C	≤± 0.015	≤± 0.013	≤± 0.010
Zero Balance	%FS	≤± 2.0		
Safe Overload	%FS	150		
Ultimate Overload	%FS	200		
Maximum Deflection	mm	50kg -200kg: ~0.7-0.9		250kg -500kg: ~0.9-1.3
Eccentric Loading Error	%Ld/cm	≤± 0.002		
Excitation, Recommended Voltage	V	5 ~ 12		
Excitation, Maximum Voltage	V	18		
Input Resistance	Ω	406 ± 6		
Output Resistance	Ω	350 ± 3.5		
Insulation Resistance (50V)	MΩ	≥5000		
Compensated Temperature	°C	-10 ~ +40		
Operating Temperature	°C	-35 ~ +65		
Storage Temperature	°C	-40 ~ +70		
Load Cell Weight	kg	~0.6		
Element Material		Aluminium		
Ingress Protection (acc. to EN 60529)		IP65		
Recommended Torque on Fixation Bolts	Nm	M8: 25		

## Wiring

### Features:

Cable type: Shielded, 4 conductor cable , conductor AWG 24  
 Cable diameter: Ø 5.3mm  
 Cable length: 3.0m  
 Cable jacket: PVC  
 Shield connected to element

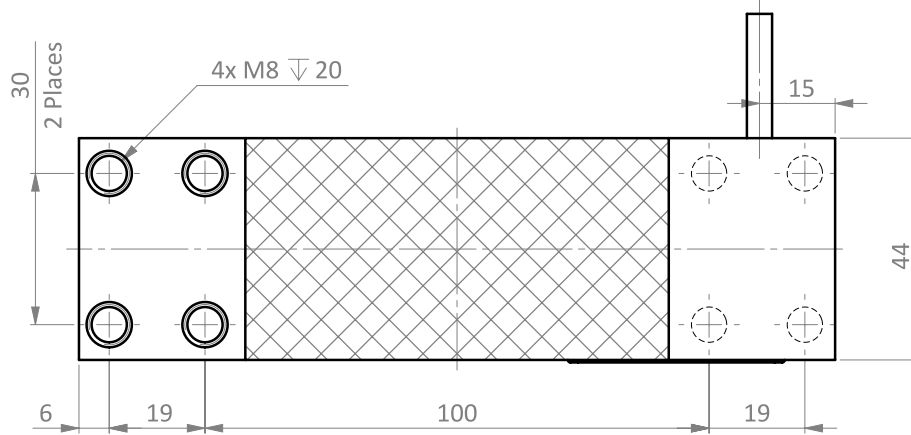
### 4-Wire Connection Diagram



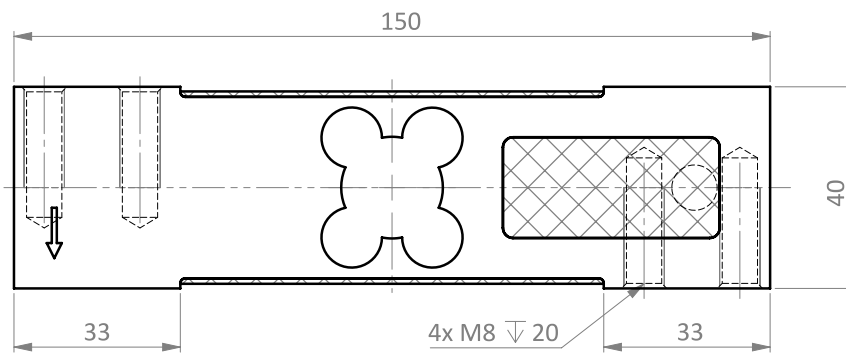
Specifications and dimensions are subject to change without notice and do not constitute any liability whatsoever.

## Dimensions in mm

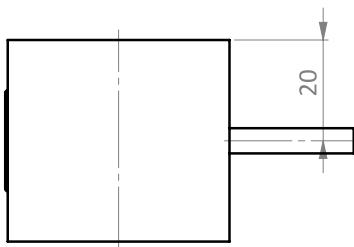
### Top View



### Front View



### Side View



### Isometric View

