

Short Description



- Nickel plated alloy steel IP68 dual shear beam load cell
- High accuracy
- Suitable for truck, track, hopper and other electronic weighing devices
- Current calibrated (sc-option)



Test certificate no. TC12331 Revision 0
C of C no R60/2017-A-NL1-22.07 Rev. 0

Available Models

Capacity	Accuracy	Full Article Description
10t	C3	HM9B-C3-10t-12B-2-FH
20t	C3	HM9B-C3-20t-12B-2-FH
25t	C3	HM9B-C3-25t-20B(-SC) -2-FH
30t	C3	HM9B-C3-30t-20B(-SC) -2-FH
40t	C3	HM9B-C3-40t-16B-2-FH
50t	C3	HM9B-C3-50t-16B-2-FH

Technical Specifications HM9B

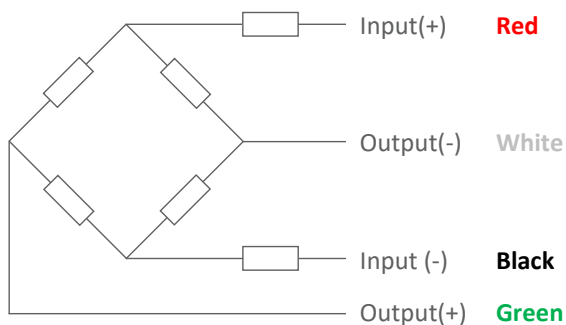
Accuracy Class		OIML R60 C3		
Output Sensitivity (= FS)	mV/V	2.0 ± 0.002		
Maximum Capacity (E _{max})	t	10, 20, 25	30, 40, 50	
Max. Number of Load Cell Intervals	n _{LC}	3000		
Ratio of min. LC Verification Interval	Y = E _{max} / V _{min}	15000	7500	
Combined Error	%FS	≤± 0.02		
Creep Error (30 minutes)	%FS	≤± 0.02		
Temperature Effect on Zero (ZTC)	%FS/10°C	≤± 0.02		
Temperature Effect on Sensitivity (STC)	%FS/10°C	≤± 0.02		
Zero Balance	%FS	≤± 1.5		
Safe Overload	%FS	150		
Ultimate Overload	%FS	300		
Excitation, Recommended Voltage	V	5 ~ 12		
Excitation, Maximum Voltage	V	18		
Input Resistance	Ω	700 ± 7		
Output Resistance	Ω	703 ± 4		
Insulation Resistance (50V)	MΩ	≥5000		
Compensated Temperature	°C	-10 ~ + 40		
Operating Temperature	°C	-35 ~ + 65		
Storage Temperature	°C	-40 ~ + 70		
Load Cell Weight	kg	10t: 15	20t – 40t: ~17	50t: 25
Element Material		Nickel plated alloy steel		
Ingress Protection (acc. to EN 60529)		IP68		
Recommended Torque on Fixation Bolts	Nm	1100		
ATEX Classification (optional)		II 1G Ex ia IIC T4 Ga	II 1D Ex ia IIIC T ₂₀₀ 135°C Da	II 3G Ex ic IIC T4 Gc

Wiring

Features:

Cable type: Shielded, 4 conductor cable , conductor AWG 24
 Cable diameter: Ø 5.5mm
 Cable length: 16m (standard), 12m & 20m lengths also available
 Cable jacket: PVC
 Shield not connected to element

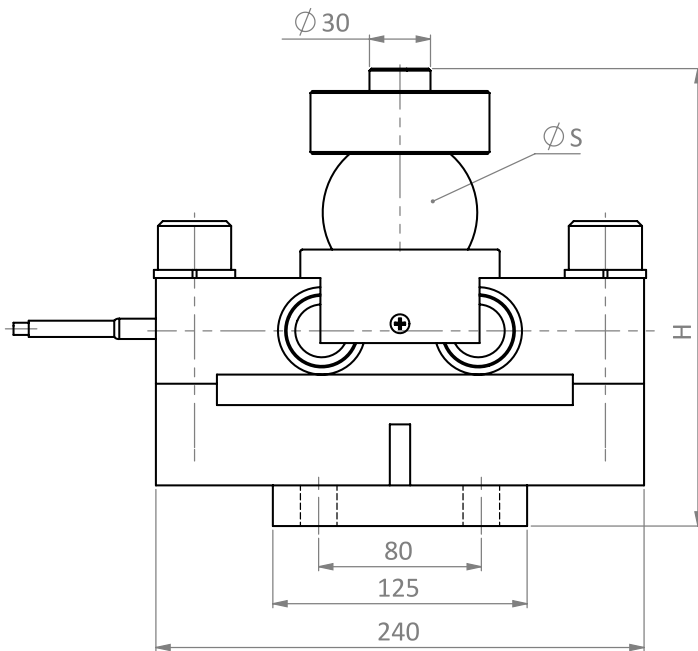
4-Wire Connection Diagram



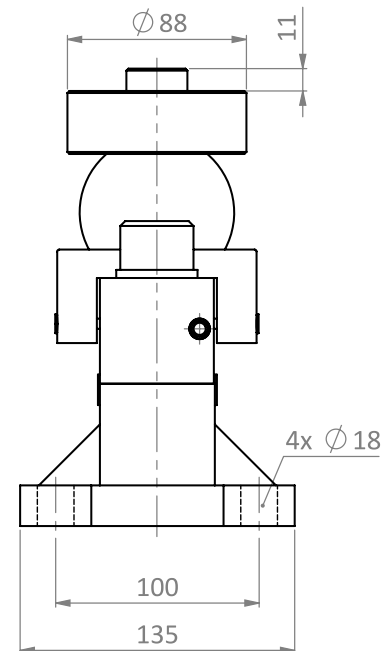
Specifications and dimensions are subject to change without notice and do not constitute any liability whatsoever.

Dimensions in mm

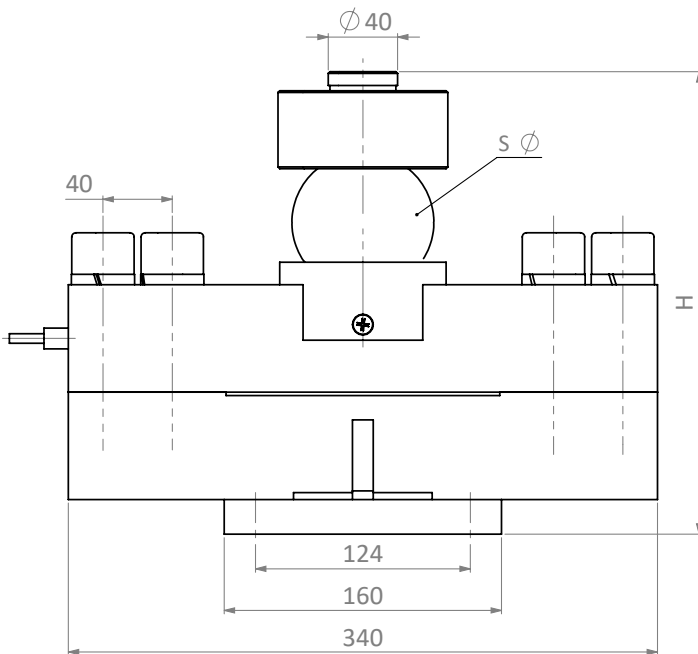
10t – 40t Front View



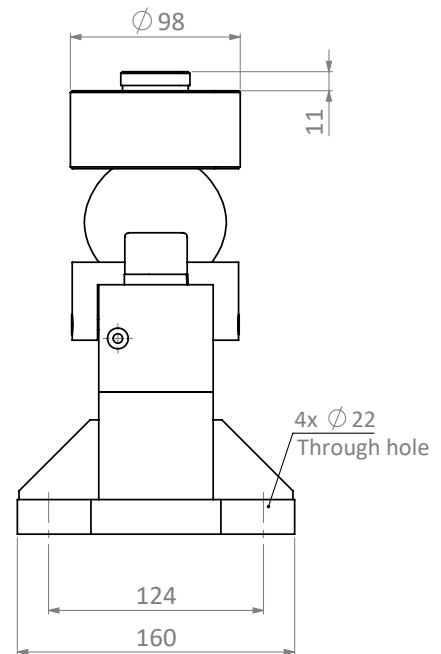
Side View



50t Front View



Side View



Dimension Capacity	H	ØS
10t	195	50
20t-40t	225	76
50t	267	82

Specifications and dimensions are subject to change without notice and do not constitute any liability whatsoever.