



## Short Description



- Stainless steel IP67 single point load cell
- Suitable for single or double load cell structured platform scales
- Maximum platform size: 600 x 600 mm

Non OIML approved

## Available Models

Capacity	Accuracy	Full Article Description
100kg	C3	B6G-C3-100kg-3G6
150kg	C3	B6G-C3-150kg-3G6
200kg	C3	B6G-C3-200kg-3G6
250kg	C3	B6G-C3-250kg-3G6
300kg	C3	B6G-C3-300kg-3G6
500kg	C3	B6G-C3-500kg-3G6
600kg	C3	B6G-C3-600kg-3G6

## Technical Specifications B6G

Accuracy Class		C3
Output Sensitivity ( = FS )	mV/V	2.0 ± 0.2
Maximum Capacity ( E <sub>max</sub> )	kg	100, 150, 200, 250, 300, 500, 600
Max. Number of Load Cell Intervals	n <sub>LC</sub>	3000
Ratio of min. LC Verification Interval	$Y = E_{max} / V_{min}$	10000
Combined Error	%FS	≤± 0.020
Creep Error (30 minutes)	%FS	≤± 0.016
Temperature Effect on Zero (ZTC)	%FS/10°C	≤± 0.015
Temperature Effect on Sensitivity (STC)	%FS/10°C	≤± 0.011
Zero Balance	%FS	≤± 1.0
Safe Overload	%FS	150
Ultimate Overload	%FS	300
Eccentric Loading Error	%Ld/cm	± 0.002
Excitation, Recommended Voltage	V	5 ~ 12
Excitation, Maximum Voltage	V	18
Input Resistance	Ω	385 ± 5
Output Resistance	Ω	350 ± 3
Insulation Resistance (50V)	MΩ	≥5000
Compensated Temperature	°C	-10 ~ +40
Operating Temperature	°C	-35 ~ +65
Storage Temperature	°C	-40 ~ +70
Load Cell Weight	kg	~ 4.6
Element Material		Stainless Steel
Ingress Protection (acc. to EN 60529)		IP67
Recommended Torque on Fixation Bolts	Nm	M8: 20
ATEX Classification (optional)		II1G Ex ia II1C T4   II1D Ex iaD 20 T73°C   II3G Ex nL IIC T4

## Wiring

### Features:

Cable type: Shielded, 6 conductor cable , conductor AWG 24

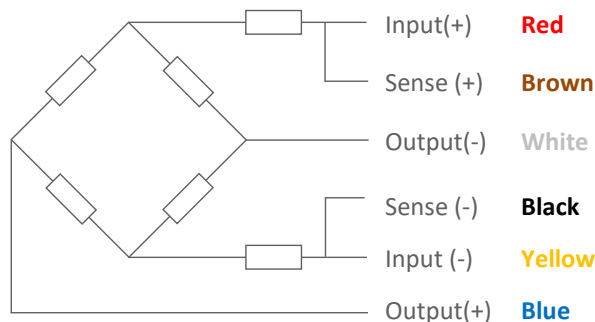
Cable diameter: Ø 6.2mm

Cable length: 3.0m

Cable jacket: PVC

Shield not connected to element

### 6-Wire Connection Diagram

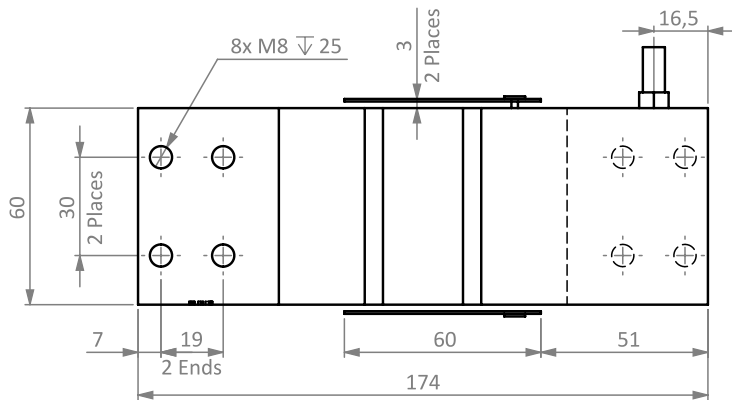


Specifications and dimensions are subject to change without notice and do not constitute any liability whatsoever.

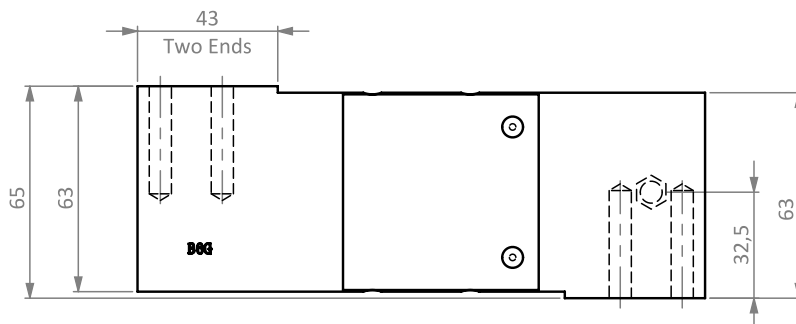
# Type B6G Load Cell

## Dimensions in mm

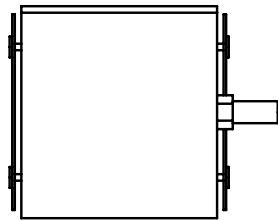
### Top View



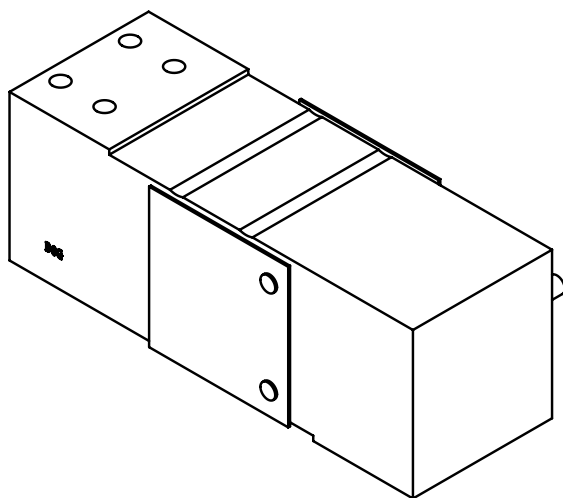
### Front View



### Side View



### Isometric View



Specifications and dimensions are subject to change without notice and do not constitute any liability whatsoever.